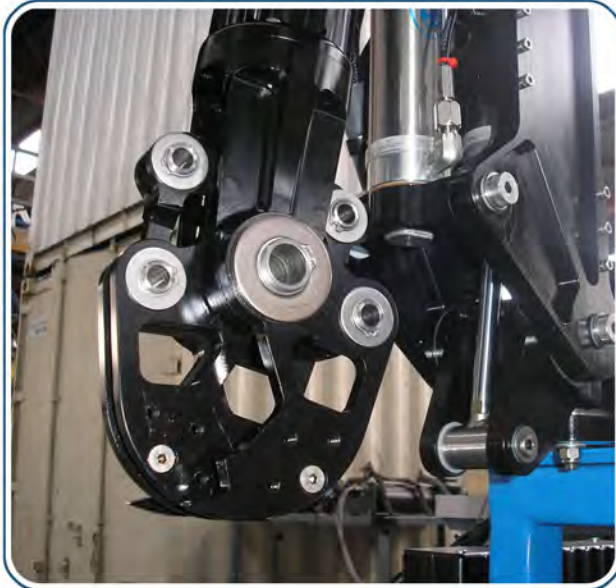


Sea Mantis 5



Description

DOER Sea Mantis 5 is a robust & effective tool for use on inspection and light work class ROVs or submersibles. Shown here with multipurpose jaws. Heavy duty cutters, parallel closure and custom end effectors are also available.

Fully capable with a wide range of motion and 360 degree continuous wrist rotate, Sea Mantis stows neatly for launch and recovery.

Smooth, steady proportional control is provided via a standard computer and USB joystick.

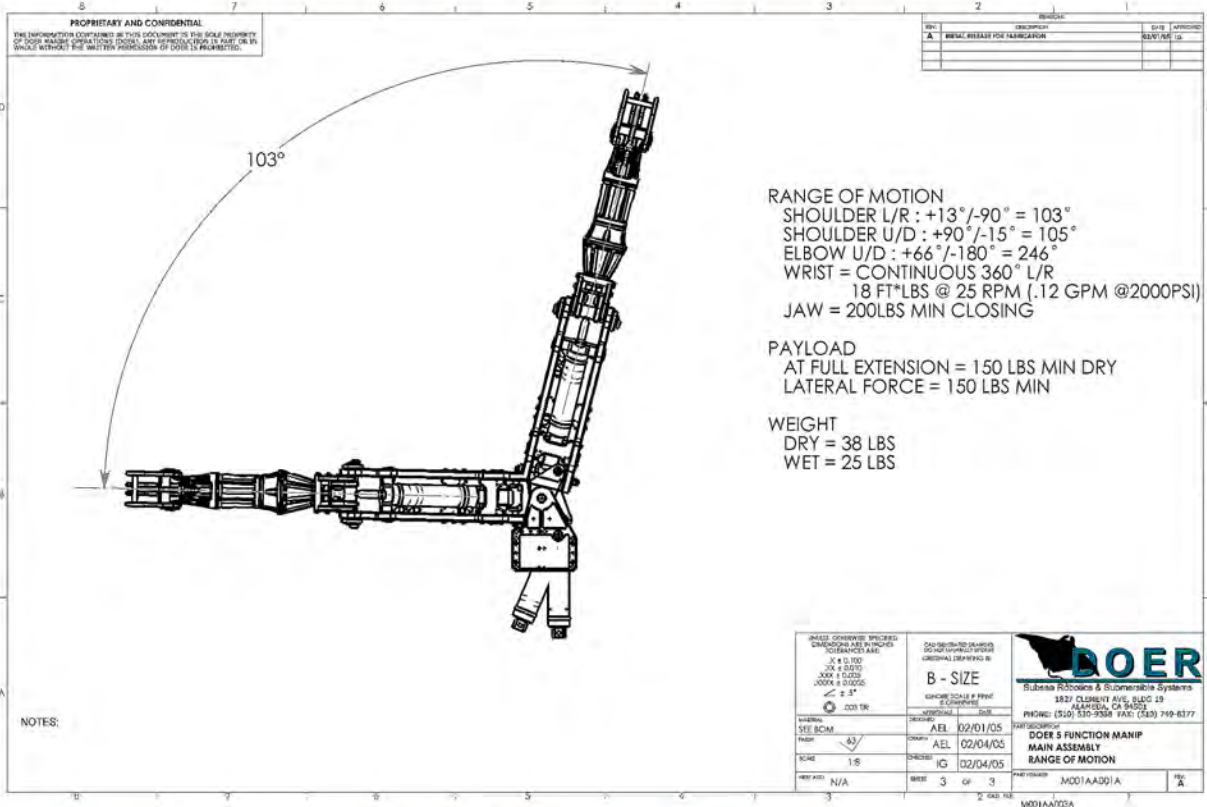


Features

- Five functions
- 360 Degree Wrist Rotate
- Proportional Control
- RS232 & RS485 Signal
- End Effectors
- Rugged Construction
- Made in USA

All specifications subject to change

Sea Mantis 5 Details and Specifications



- Payload:** 150 lbs at full extension minimum dry
- Lateral Force:** 150 lbs minimum
- Wrist:** 360 degrees continuous rotation
- Jaw Force:** Up to 200 lbs Closing Strength
- Depth Rating:** 3000m tested (please inquire about deeper rated units)
- System Pressure:** Rams 500 psi
Jaw & Rotate 3300 psi
- Weight:** Dry = 38 lbs
Wet = 25 lbs
- Control:** RS-232 or RS485 with DOER Manifold
- Dimensions:** Refer to drawing above
- Range of Motion:** Refer to drawing above
- Interchangeable Jaws:** Heavy duty cutters, parallel closure and custom end effectors are also available.
- Tool Skid:** available.

Sea Mantis 5 easily integrates with existing hydraulic systems on both ROVs and Submersibles. Designed to easily size up or size down for custom applications on a wide variety of platforms.

All specifications subject to change



1827 Clement Ave. Alameda CA 94501
 Tel: 510.530.9388 Fax: 510.749.8377
 www.doermarine.com info@doermarine.com,